

d5IO12D – I/O module

dasa5 is a control system developed for use in heavy-duty vehicles that operate in demanding environments.

The system is constructed around a centre control computer with separate display and distributed CAN nodes for connecting inputs and outputs. The system can be configured to control everything from simple vehicles to sophisticated machines with complex applications.

d5IO12D (d5 Input Output Danfoss)

Unit that handles 12 programmable inputs or outputs. The inputs are digital and the outputs are low-power outputs for analogue DC (Danfoss).

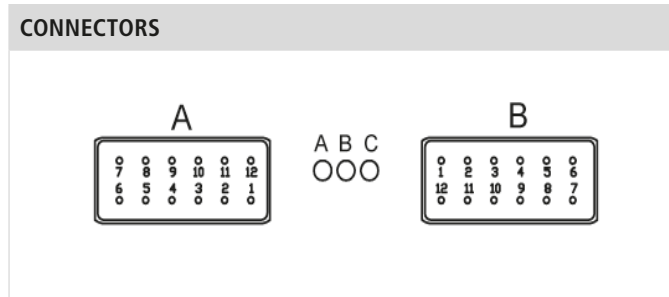


Technical data

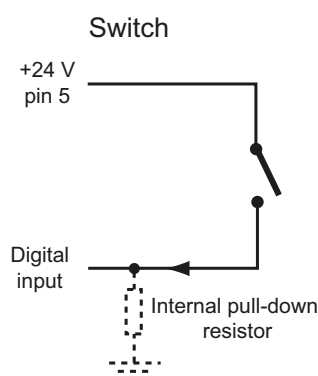
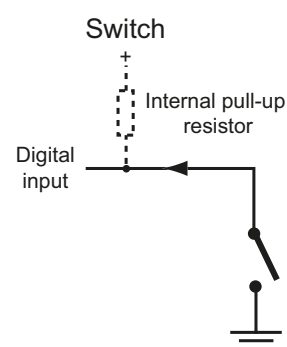
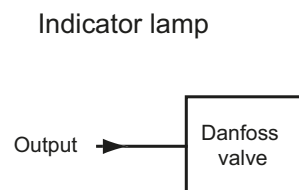
GENERAL DATA	
Weight	0.4 kg
Ambient temperature in operation	- 40 to + 70 °C
in storage	- 40 to + 85 °C
Protection class	IP67
Supply voltage	10 - 30 V DC
Power consumption	55 mA (24 V DC)
Size	133 x 118 x 35 mm (incl. fixing lugs)
Case	Plastic
Connectors	2 Deutsch DTM
IO12 has 12 signals that can be configured as digital inputs or as Danfoss outputs.	

INPUTS	
Max. number inputs	12
Max. number digital inputs	12
Trip level	Half the supply voltage
The inputs have pull-up or pull-down resistors at 2.2 kohm selected via DCL Tool.	

OUTPUTS	
Max. number outputs	12
Output voltage range	5-95% of system voltage, or voltage output
Output current, max.	5 mA / output



EXAMPLES OF CONNECTION



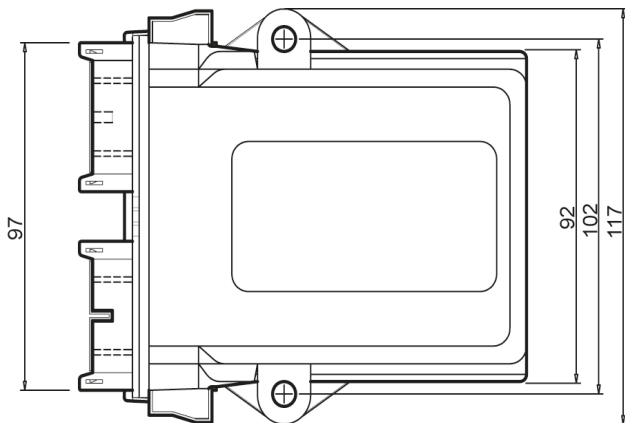
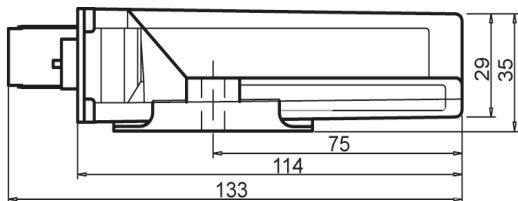
CONNECTOR A

Matching device: Deutsch DTM06-12SA

All connections can be configured as output, digital input, voltage input or current input. Furthermore, certain connections can be configured as frequency inputs, 2-channel pulse counters or enumerators according to the table below.

Conn No.	Danfoss out	Dig. in
1	YES	YES
2	YES	YES
3	YES	YES
4	YES	YES
5	YES	YES
6	YES	YES
7	YES	YES
8	YES	YES
9	YES	YES
10	YES	YES
11	YES	YES
12	YES	YES

DIMENSIONS



CONNECTOR B

All 6 IO-devices are configured in the same way.

Matching device: Amp 174047-2 (Multilock)

Conn No.	Function	Comment
1	CAN-H	Ansl 1 & 2 are interconnected internally
2	CAN-H	
3	+10-30 V in	Ansl 3 & 10 are interconnected internally, max 7.5 A
4	ID-Tag	The ID tag is connected between 4 and optional gnd connection (6, 7 or 9).
5	+10-30 V out	Fused voltage to sensor max. 150 mA
6	gnd	Conn 6,7 & 9 are interconnected internally
7	gnd	
8	No conn.	Fused voltage to sensor max. 500 mA (for unit with part No. 1510.03)
9	gnd	
10	+10-30 V in	Conn. 3 & 10 are interconnected internally max. 7.5 A
11	CAN-L	Conn. 11 & 12 are interconnected internally
12	CAN-L	

Both pin 3 & pin 10 must be supplied with 10-30 V if one wishes to take out more than 7.5 A.

The total current outlet from the unit will then be 15 A.

LIGHT EMITTING DIODES

LED	FUNCTION
R	ERROR, red lights for fault
Y	CAN, yellow lights on contact with CAN bus
G	POWER, green lights when unit is powered

Dasa is a leading supplier of advanced computerized control and communication systems for heavy vehicles. We develop and manufacture systems, based on high technical expertise, for control and information management together with complete applications for forest harvesting.

