

d5IO48 – I/O module

dasa5 is a control system developed for use in heavy-duty vehicles that operate in demanding environments.

The system is constructed around a centre control computer with separate display and distributed CAN nodes for connecting inputs and outputs. The system can be configured to control everything from simple vehicles to sophisticated machines with complex applications.

d5IO48

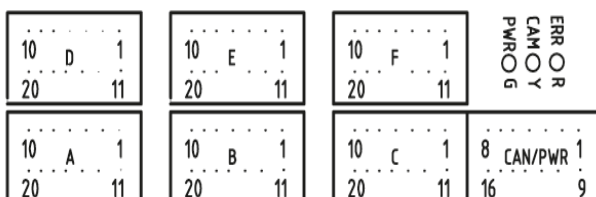
Unit with 48 inputs and 48 outputs for functions with low power, eg, button panels and cab functions.



Technical data

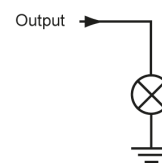
GENERAL DATA	
Weight	0.6 kg
Ambient temperature in operation	- 40 to + 70 °C
in storage	- 40 to + 70 °C
Protection class	IP40
Supply voltage	10 - 30 V DC
Power consumption	80 mA (24 V DC)
Size	W=205 H=77 D=60
Case	Aluminium
Connectors	Amp multilock
INPUTS	
Total number of inputs	48 analogue/digital
Voltage inputs	0-30 V (about 4.5 kohm also digital) or 0-5 V high impedance (>500 kohm)
OUTPUTS	
Number of outputs	48 digital
Output current, max./output	100 mA (digital)
Max. load for the unit totally	750 mA
Trip level (logic 0 to 1 or 1 to 0)	4 V

CONNECTORS

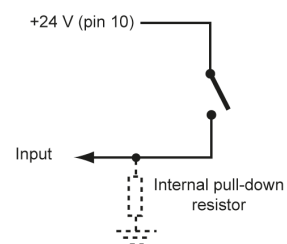


EXAMPLES OF CONNECTION

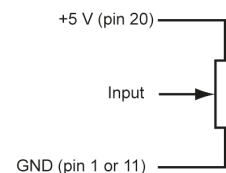
Indicator lamp



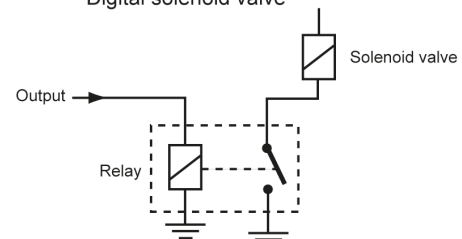
Switch or PNP sensor



Potentiometer/Lever



Digital solenoid valve



CONNECTOR CAN/PWR

Matching device: AMP 174046-2 (Multilock)

Conn No.	Function	Comment
1	gnd	
2	gnd	
3	CAN-H	Connected internally with pin 4
4	CAN-H	
5	ID-Tag	The ID tag is connected between 5 and optional gnd connection (9, 10 or 13).
6	not used	
7	not used	
8	+10-30 V in	Connected internally with pin 16
9	gnd	
10	gnd	
11	CAN-L	Connected internally with pin 12
12	CAN-L	
13	gnd	
14	not used	
15	not used	
16	+10-30 V in	

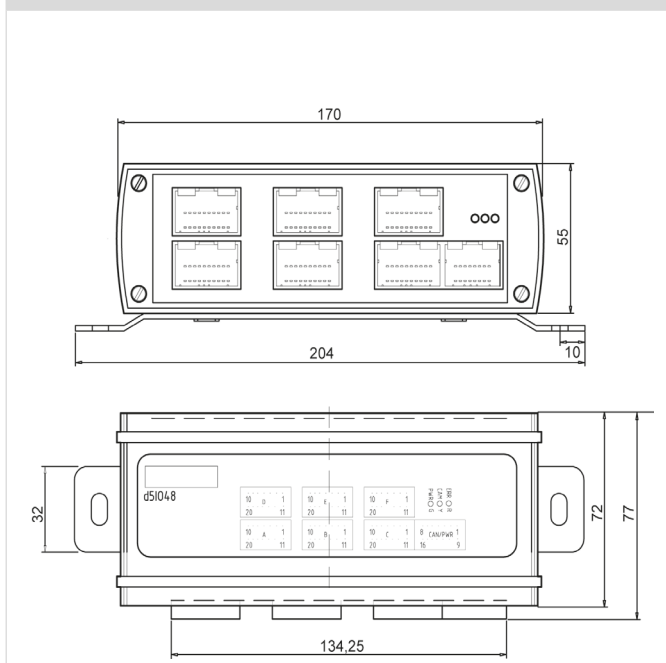
CONNECTOR IO A-F

All 6 IO-devices are configured in the same way.

Matching device: Amp 174047-2 (Multilock)

Conn No.	Function	Comment
1	gnd	
2	Input 1	
3	Input 3	
4	Input 5	
5	Input 7	
6	Output 1	
7	Output 3	
9	Output 5	
9	Output 7	
10	+10-30 V out fused	max 150 mA
11	gnd	
12	Input 2	
13	Input 4	
14	Input 6	
15	Input 8	
16	Output 2	
17	Output 4	
18	Output 6	
19	Output 8	
20	+5 V out fused	max 150mA

DIMENSIONS



LIGHT EMITTING DIODES

LED	FUNCTION
R	ERROR, red lights for fault
Y	CAN, yellow lights on contact with CAN bus
G	POWER, green lights when unit is powered

Dasa is a leading supplier of advanced computerized control and communication systems for heavy vehicles. We develop and manufacture systems, based on high technical expertise, for control and information management together with complete applications for forest harvesting.

